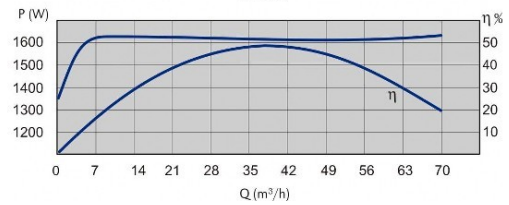


Tech. data: NMT LAN C 80F PN10



NMTC communication module (Ethernet connection, Modbus RTU connection, Analog Control input 0 - 10 V, 3 digital inputs, 1 relay output).

CODE: 979523616
Energy class: EEI ≤ 0,23 - Part 2

TECHNICAL DATA:

Q max: 78 m³/h
H max: 13 m
System pressure: PN 10 bar

ELECTRICAL PARAMETERS:

Power: 45 - 1600 W
Declared current: 6,9 A
Power supply: 1 ~ 230 V
Insulating class: H
Degree of protection: IP 44

INSTALLATION & MEDIUM:

Pipe connection: DN 80
Port-to-port length: 360 mm
Liquid temperature range: -10 – +110 °C
Environment temperature range: 0 – 40 °C
Max. working pressure at 50/80/110°C: 0,3/1/1,6 bar

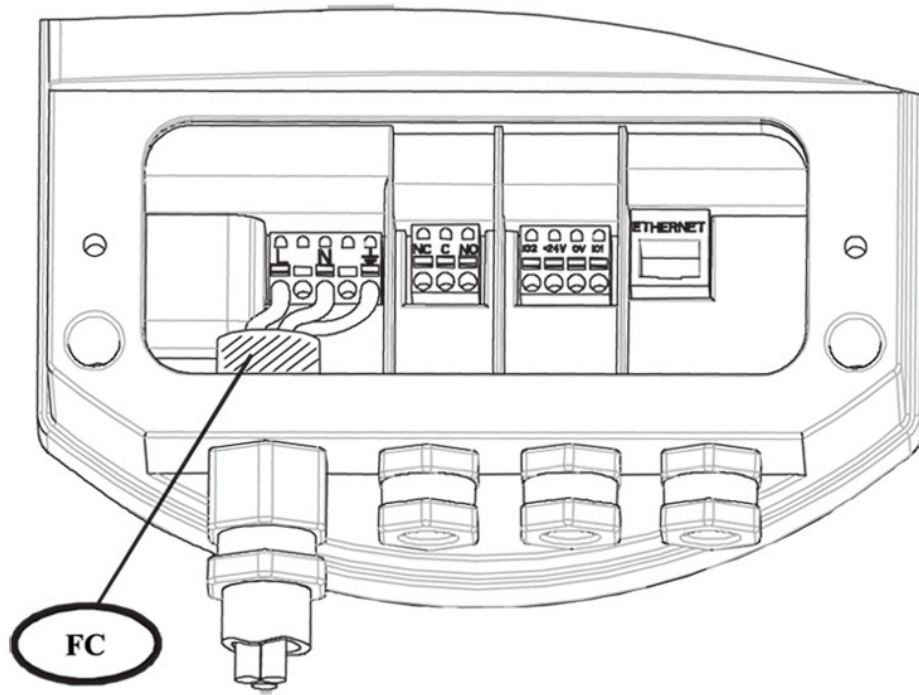
MATERIALS:

Impeller material: stainless steel
Housing material: cast iron

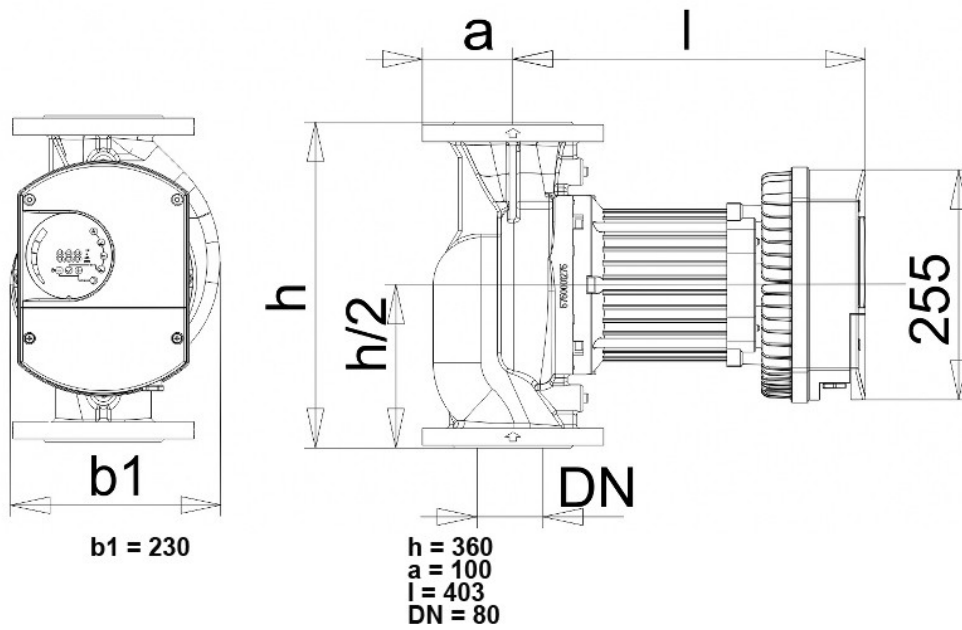
OTHERS:

Casing construction: single
Net weight: 40,8 kg
Gross weight: 42,1 kg
Volume of packaging: 0,05225 m³

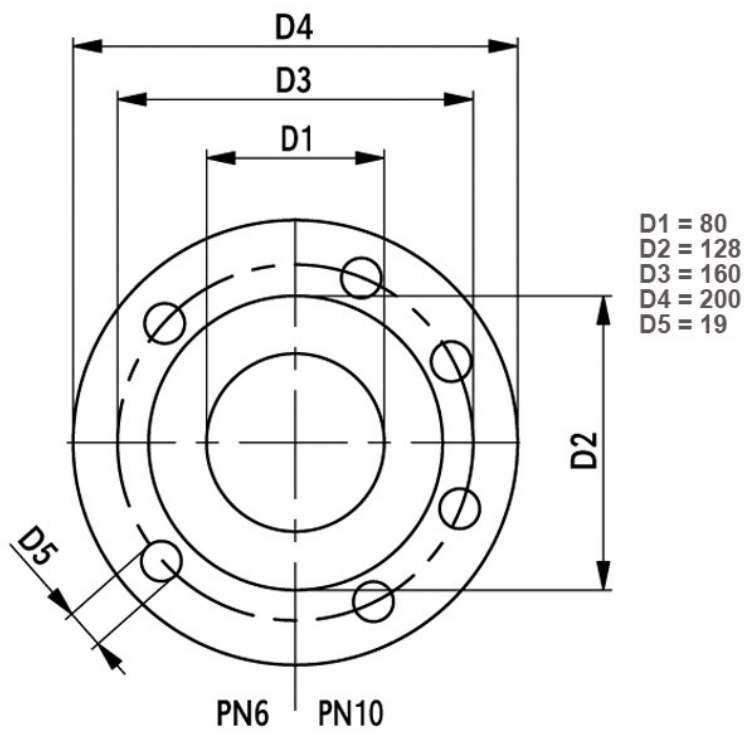
Diagram and el. wiring: NMT LAN C 80F PN10



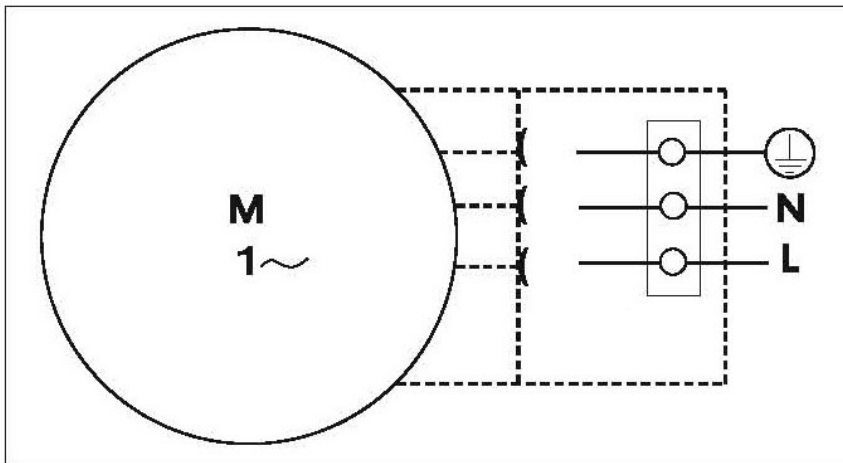
4



1



2



3