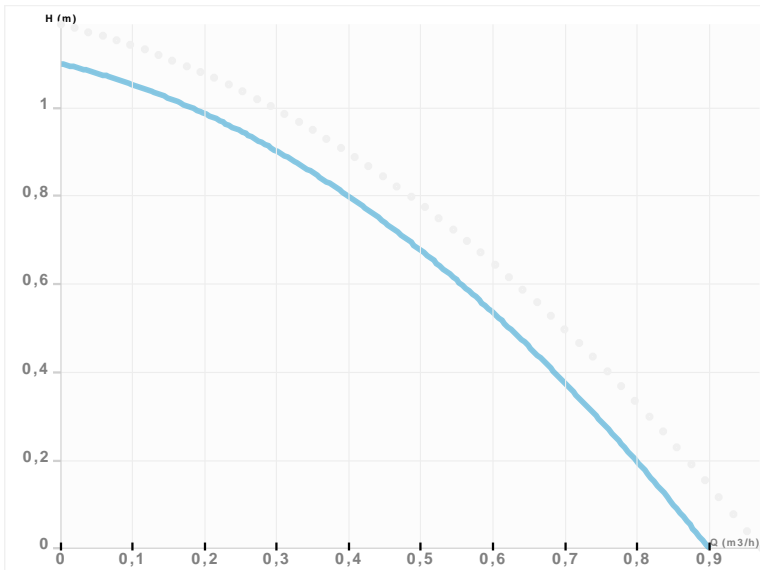




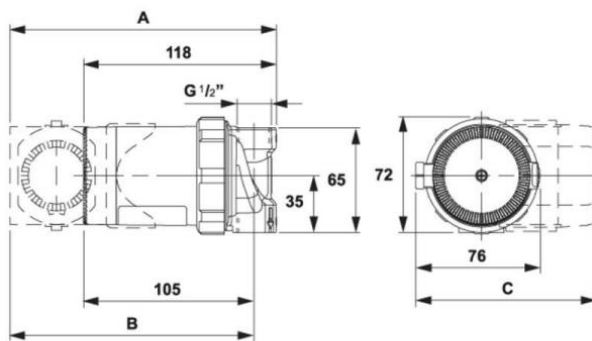
SAN ECO 15/15 BU

SAN / Three speeds threaded pumps for circulation of sanitary water
 Sanitary water



Part number	979523231
Declared height	PN10
Power supply	1 ~ 230V, 50Hz
Declared protection	IP 42
Q max	0.9 [m³/h]
H max	1.1 [m]
RPM	- [1/min]
Motor power	2-8 [w]
Declared current	0,11 [A]
Fluid temperature	5.0 ÷ 70.0 [°C]
Insulation class	F
Casing construction	Single casing
DN1	15 [mm]
DN2	15 [mm]
Casing material	Bronze
Connector	DN 15
Weight	1 [kg]
Connectors position	Inline (0°)
Lenght	65 [mm]

Drawing



Sketch

