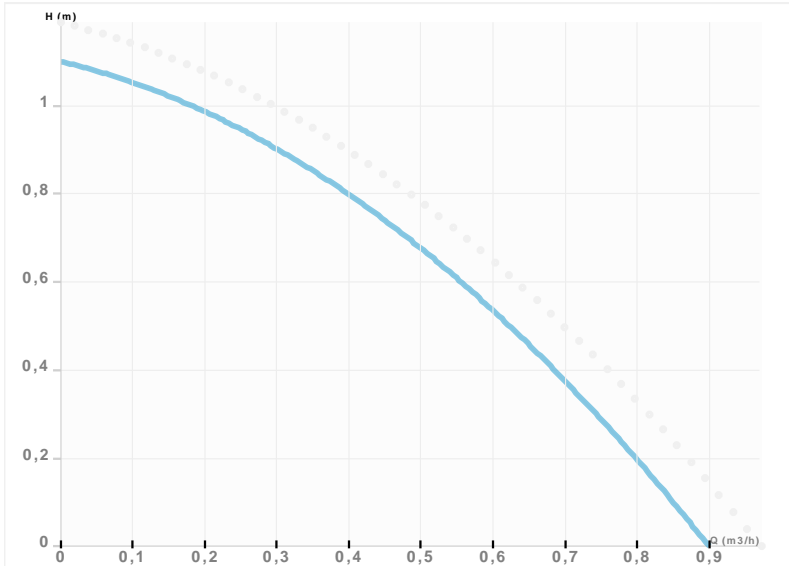




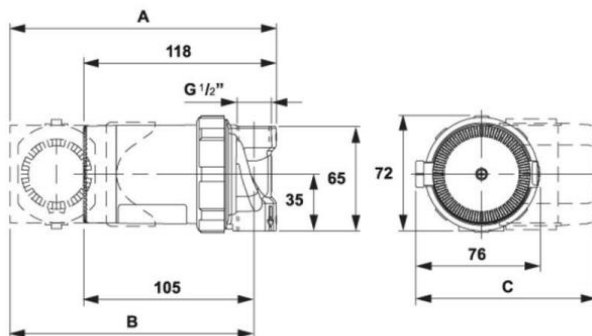
SAN ECO 15/15 B

SAN / Three speeds threaded pumps for circulation of sanitary water
 Sanitary water



| | |
|---------------------|------------------------|
| Part number | 979523230 |
| Declared height | PN10 |
| Power supply | 1 ~ 230V, 50Hz |
| Declared protection | IP 42 |
| Q max | 0.9 [m³/h] |
| H max | 1.1 [m] |
| RPM | - [1/min] |
| Motor power | 2-8 [w] |
| Declared current | 0,11 [A] |
| Fluid temperature | 5.0 ÷ 70.0 [°C] |
| Insulation class | F |
| Casing construction | Single casing |
| DN1 | 15 [mm] |
| DN2 | 15 [mm] |
| Casing material | Bronze |
| Connector | DN 15 |
| Weight | 0,9 [kg] |
| Connectors position | Inline (0°) |
| Length | 65 [mm] |

Drawing



Sketch

