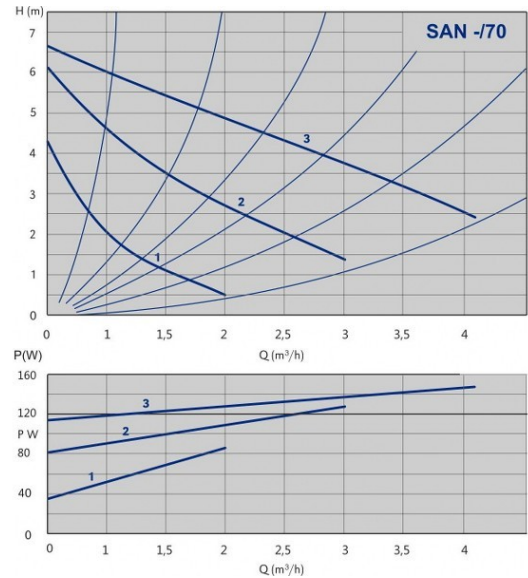


Tech. data: SAN 20/70-130



CODE: 979522018

TECHNICAL DATA:

Q max: 4,2 m³/h
H max: 6,7 m
System pressure: PN 10 bar
Nr. of speeds: 3

ELECTRICAL PARAMETERS:

Power: 140 W
Declared current: 0,39 - 0,62 A
Power supply: 1 ~ 230 V
Insulating class: H
Degree of protection: IP 44

INSTALLATION & MEDIUM:

Pipe connection: G 1 1/4 "
Port-to-port length: 130 mm
Liquid temperature range: +5 do +65 °C
Environment temperature range: 0 do 40 °C
Max. working pressure at 50/80/110°C: 0,05/0,4/1,1 bar

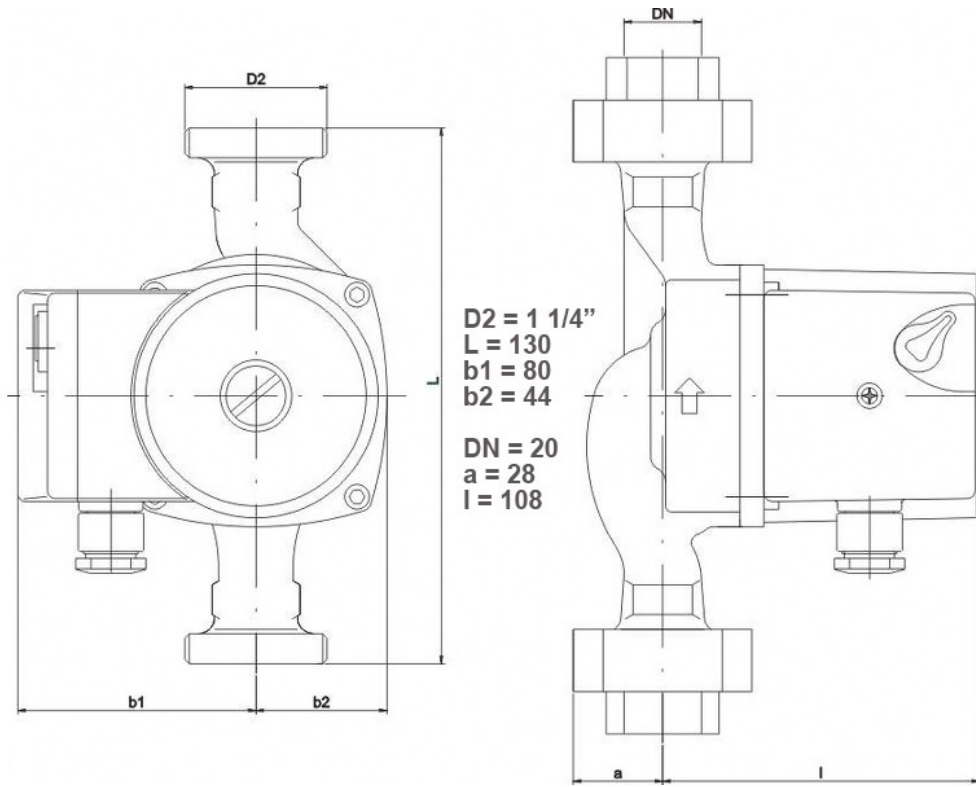
MATERIALS:

Impeller material: noryl
Housing material: bronze

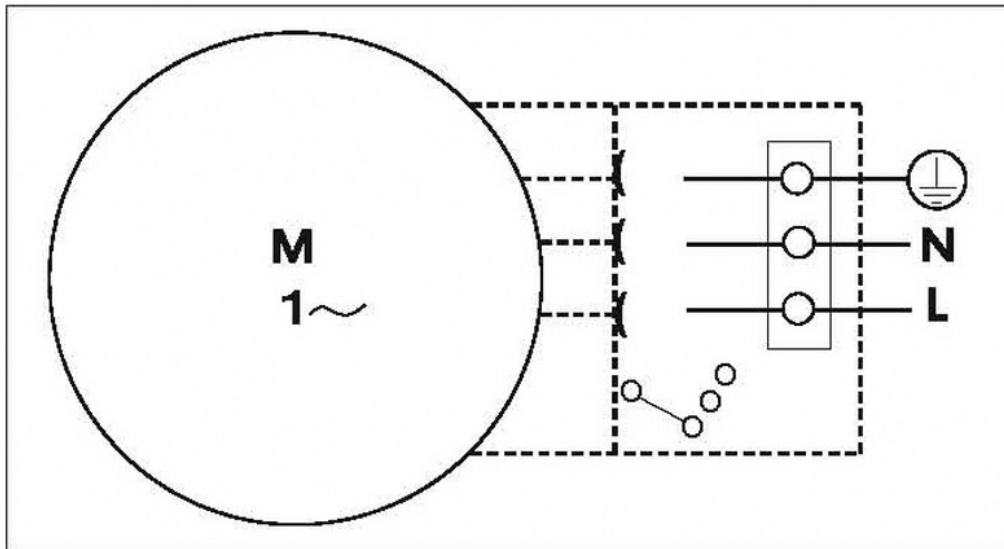
OTHERS:

Casing construction: single
Net weight: 2,5 kg
Gross weight: 2,6 kg
Volume of packaging: 0,002842 m³

Diagram and el. wiring: SAN 20/70-130



1



2