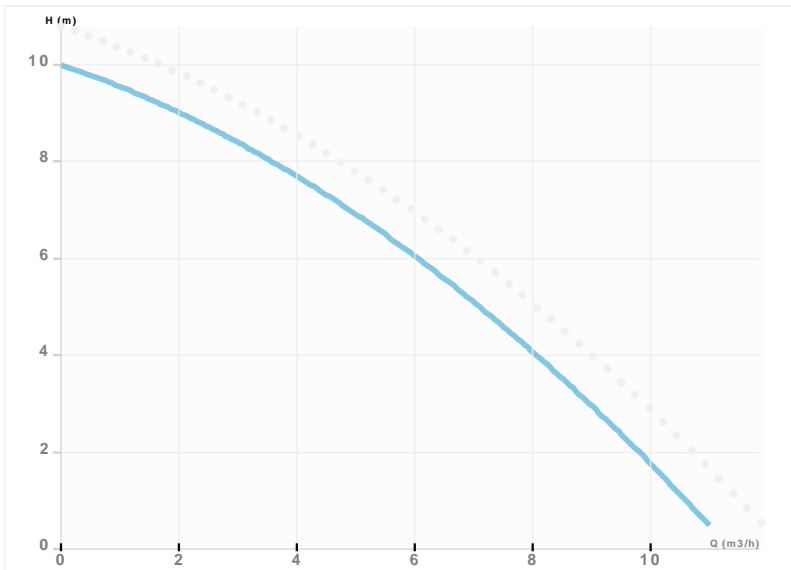




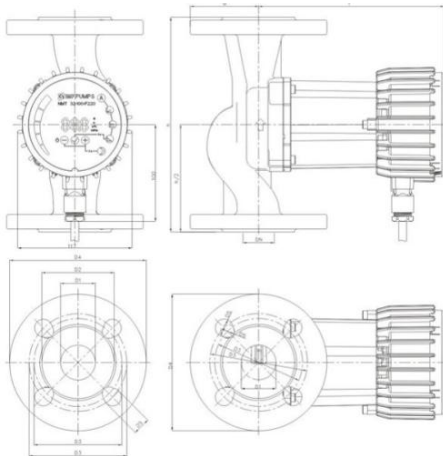
NMT SMART 50/100 F

NMT SMART / Electronically regulated circulating pump
 Heating, Climatisation



| | |
|---------------------|-------------------------|
| Part number | 979523286 |
| Declared height | PN6/10 |
| Power supply | 1 ~ 230V, 50Hz |
| Declared protection | IP 44 (IEC 144) |
| Q max | 11.0 [m³/h] |
| H max | 10.0 [m] |
| RPM | 4400 [1/min] |
| Motor power | 10-180 [w] |
| Declared current | 0,1-1,45 [A] |
| Fluid temperature | 2.0 ÷ 110.0 [°C] |
| Insulation class | H |
| Casing construction | Single casing |
| DN1 | 32 [mm] |
| DN2 | 32 [mm] |
| Casing material | Gray cast iron |
| Connector | PN6/10 |
| Weight | 9,8 [kg] |
| Connectors position | Inline (0°) |
| Length | 240 [mm] |

Drawing



DN=50 h=240 a=82,5 l=190

Sketch

