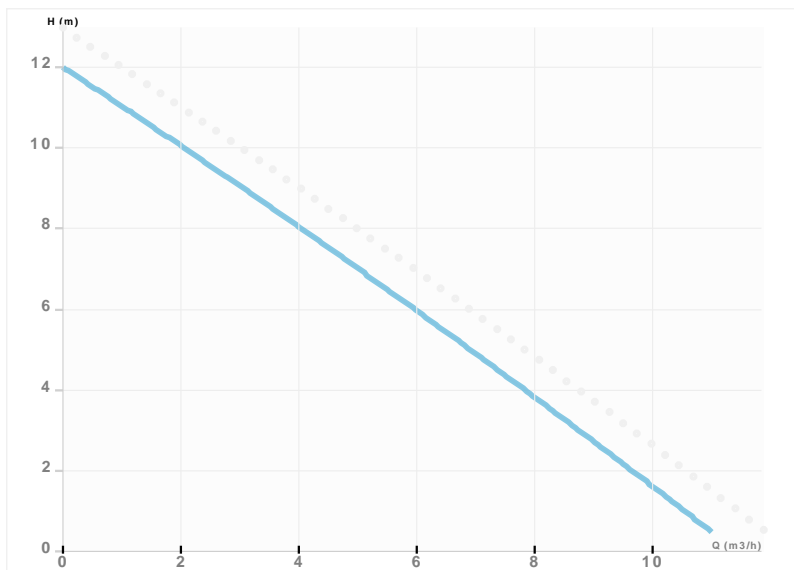




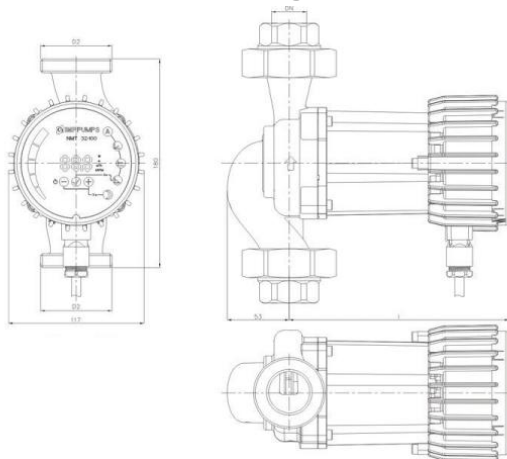
NMT SMART 32/120-180

NMT SMART / Electronically regulated circulating pump
 Heating, Climatisation



Part number	979523771
Declared height	PN10
Power supply	1 ~ 230V, 50Hz
Declared protection	IP 44 (IEC 144)
Q max	10.77 [m³/h]
H max	11.82 [m]
RPM	4800 [1/min]
Motor power	180.0 [w]
Declared current	0.1 [A]
Fluid temperature	2.0 ÷ 110.0 [°C]
Insulation class	F
Casing construction	Single casing
DN1	32 [mm]
DN2	32 [mm]
Casing material	Gray cast iron
Connector	1 1/4"
Weight	3.5 [kg]
Connectors position	Inline (0°)
Length	180 [mm]

Drawing



Sketch

