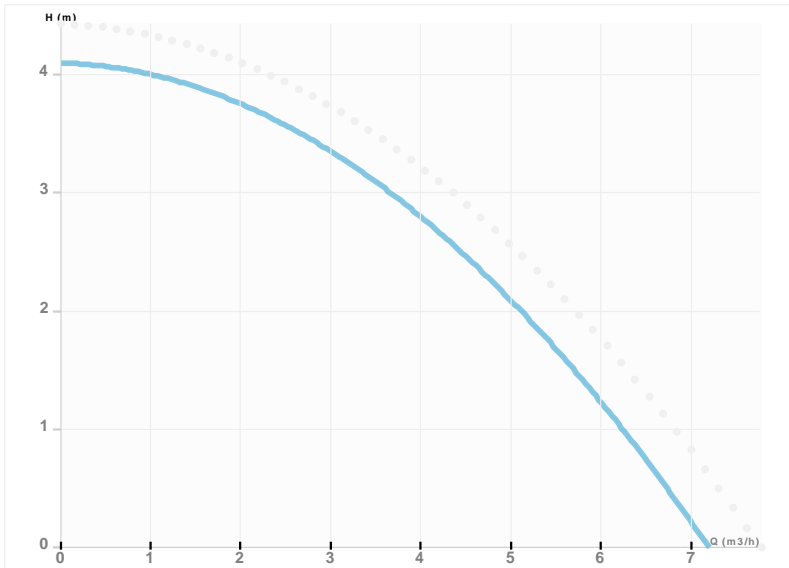




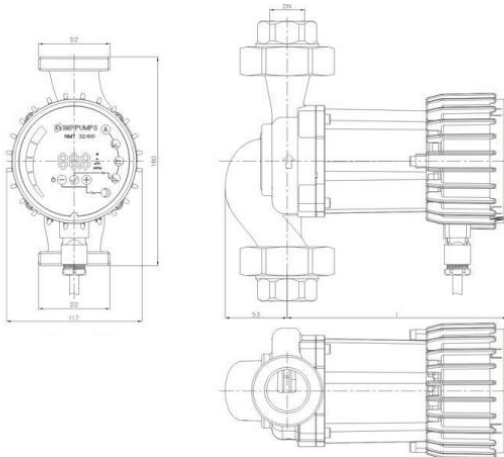
NMT SAN SMART 25/40-180

NMT SAN SMART C/ Electronically regulated circulating pump
 Heating, Climatisation



| | |
|---------------------|-------------------------|
| Part number | 979524527 |
| Declared height | PN10 |
| Power supply | 1 ~ 230V, 50Hz |
| Declared protection | IP 44 (IEC 144) |
| Q max | 7.22 [m³/h] |
| H max | 4.06 [m] |
| RPM | 2800 [1/min] |
| Motor power | 60.0 [w] |
| Declared current | 0.1 [A] |
| Fluid temperature | 2.0 ÷ 110.0 [°C] |
| Insulation class | F |
| Casing construction | Single casing |
| DN1 | 25 [mm] |
| DN2 | 25 [mm] |
| Casing material | Bronze |
| Connector | 1" |
| Weight | 0 [kg] |
| Connectors position | Inline (0°) |
| Length | 180 [mm] |

Drawing



Sketch

