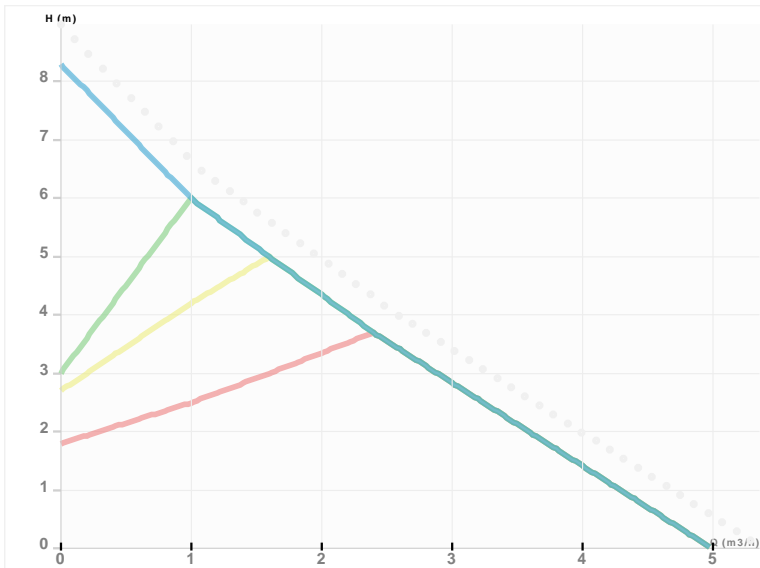




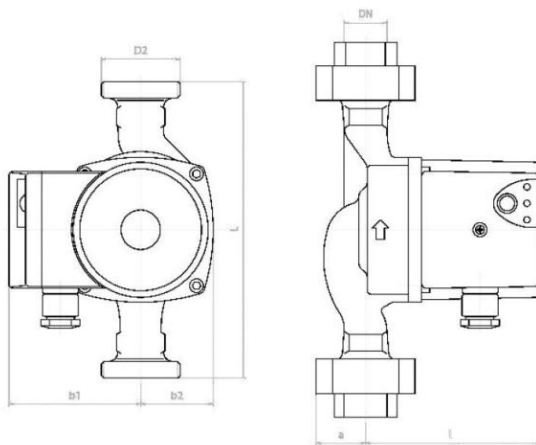
NMT SAN PLUS 20/80 - 130

NMT SAN PLUS / Electronically regulated threaded pumps for circulation of sanitary water
 Sanitary water



Part number	979523137
Declared height	PN10
Power supply	1 ~ 230V, 50Hz
Declared protection	IP 44 (IEC 144)
Q max	4.5 [m³/h]
H max	8.0 [m]
RPM	3940 [1/min]
Motor power	75 [w]
Declared current	0,05-0,6 [A]
Fluid temperature	5.0 ÷ 95.0 [°C]
Insulation class	H
Casing construction	Single casing
DN1	20 [mm]
DN2	20 [mm]
Casing material	Bronze
Connector	3/4"
Weight	2,1 [kg]
Connectors position	Inline (0°)
Length	130 [mm]

Drawing



L=130 DN=20 b1=80 b2=48 l=108 a=29 D2=5/4"

Sketch

