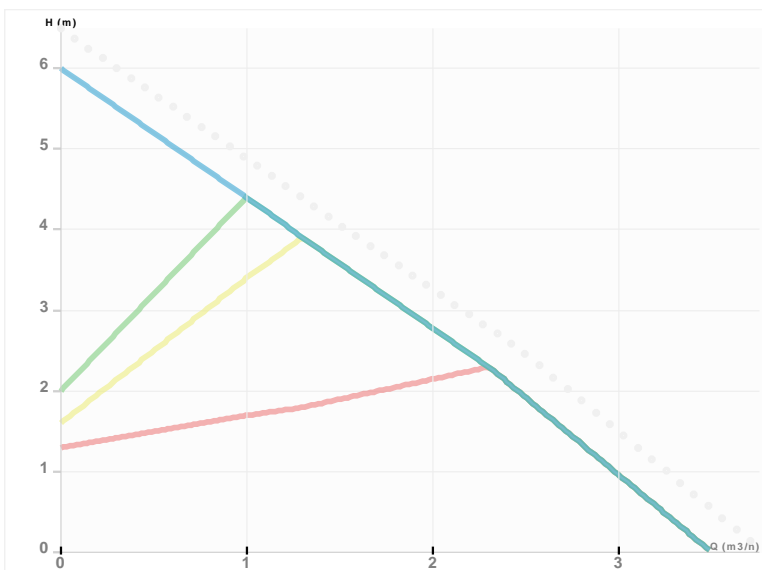




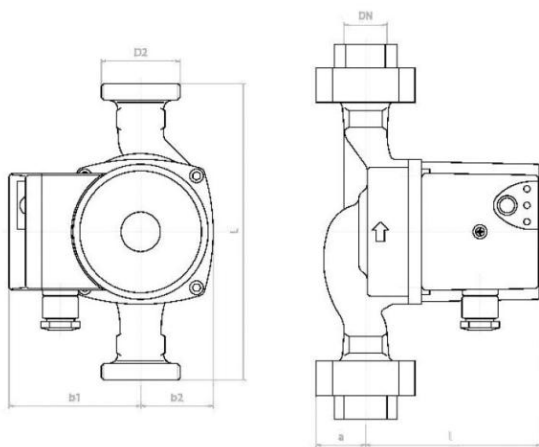
## NMT SAN PLUS 20/60 - 130

NMT SAN PLUS / Electronically regulated threaded pumps for circulation of sanitary water  
 Sanitary water



Part number	<b>979523135</b>
Declared height	<b>PN10</b>
Power supply	<b>1 ~ 230V, 50Hz</b>
Declared protection	<b>IP 44 (IEC 144)</b>
Q max	<b>3.7 [m³/h]</b>
H max	<b>6.0 [m]</b>
RPM	<b>3250 [1/min]</b>
Motor power	<b>50 [w]</b>
Declared current	<b>0,05-0,4 [A]</b>
Fluid temperature	<b>5.0 ÷ 95.0 [°C]</b>
Insulation class	<b>H</b>
Casing construction	<b>Single casing</b>
DN1	<b>20 [mm]</b>
DN2	<b>20 [mm]</b>
Casing material	<b>Bronze</b>
Connector	<b>3/4"</b>
Weight	<b>2,1 [kg]</b>
Connectors position	<b>Inline (0°)</b>
Lenght	<b>130 [mm]</b>

Drawing



L=130 DN=20 b1=80 b2=48 l=108 a=29 D2=5/4"

Sketch

