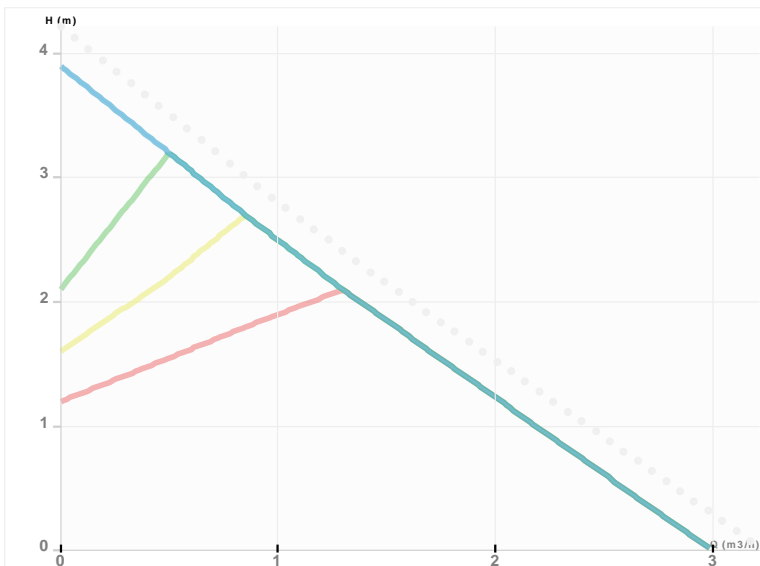




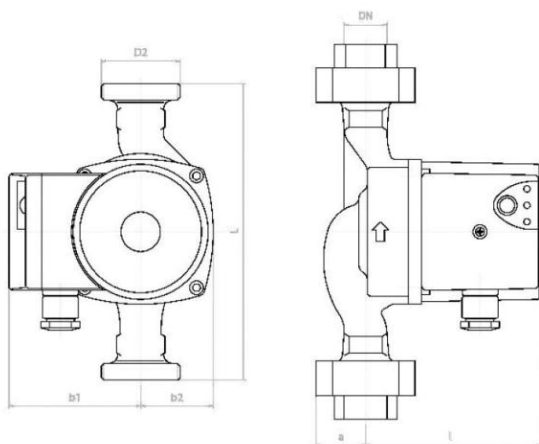
## NMT SAN PLUS 20/40 - 130

NMT SAN PLUS / Electronically regulated threaded pumps for circulation of sanitary water  
 Sanitary water



|                     |                        |
|---------------------|------------------------|
| Part number         | <b>979523133</b>       |
| Declared height     | <b>PN10</b>            |
| Power supply        | <b>1 ~ 230V, 50Hz</b>  |
| Declared protection | <b>IP 44 (IEC 144)</b> |
| Q max               | <b>2.6 [m³/h]</b>      |
| H max               | <b>4.0 [m]</b>         |
| RPM                 | <b>2650 [1/min]</b>    |
| Motor power         | <b>25 [w]</b>          |
| Declared current    | <b>0,05-0,2 [A]</b>    |
| Fluid temperature   | <b>5.0 ÷ 95.0 [°C]</b> |
| Insulation class    | <b>H</b>               |
| Casing construction | <b>Single casing</b>   |
| DN1                 | <b>20 [mm]</b>         |
| DN2                 | <b>20 [mm]</b>         |
| Casing material     | <b>Bronze</b>          |
| Connector           | <b>3/4"</b>            |
| Weight              | <b>2,1 [kg]</b>        |
| Connectors position | <b>Inline (0°)</b>     |
| Lenght              | <b>130 [mm]</b>        |

Drawing



L=130 DN=20 b1=80 b2=48 l=108 a=29 D2=5/4"

Sketch

