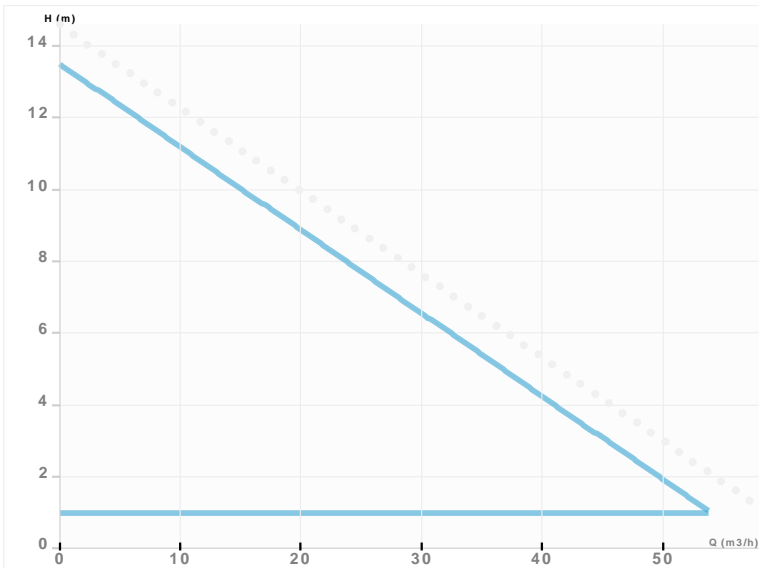




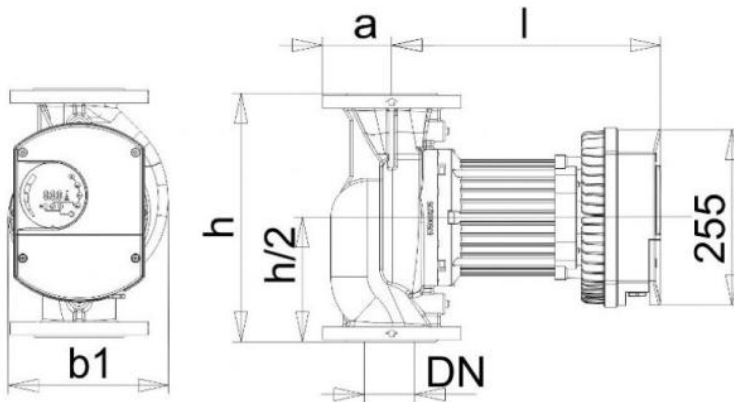
## NMT SAN LAN C 65F

NMT SAN LAN C / Electronically regulated threaded pumps for circulation of sanitary water - communication  
 Sanitary water



Part number	<b>979523611</b>
Declared height	<b>PN6/10</b>
Power supply	<b>1 ~ 230V, 50Hz</b>
Declared protection	<b>IP 44 (IEC 144)</b>
Q max	<b>65.0 [m³/h]</b>
H max	<b>13.0 [m]</b>
RPM	<b>3000 [1/min]</b>
Motor power	<b>38-1100 [w]</b>
Declared current	<b>4,8 [A]</b>
Fluid temperature	<b>5.0 ÷ 65.0 [°C]</b>
Insulation class	<b>H</b>
Casing construction	<b>Single casing</b>
DN1	<b>65 [mm]</b>
DN2	<b>65 [mm]</b>
Casing material	<b>Bronze</b>
Connector	<b>PN6/10</b>
Weight	<b>38,5 [kg]</b>
Connectors position	<b>Inline (0°)</b>
Lenght	<b>340 [mm]</b>

Drawing



DN=65 b1=222 l=369 h=340 a=80 holes=4

Sketch

