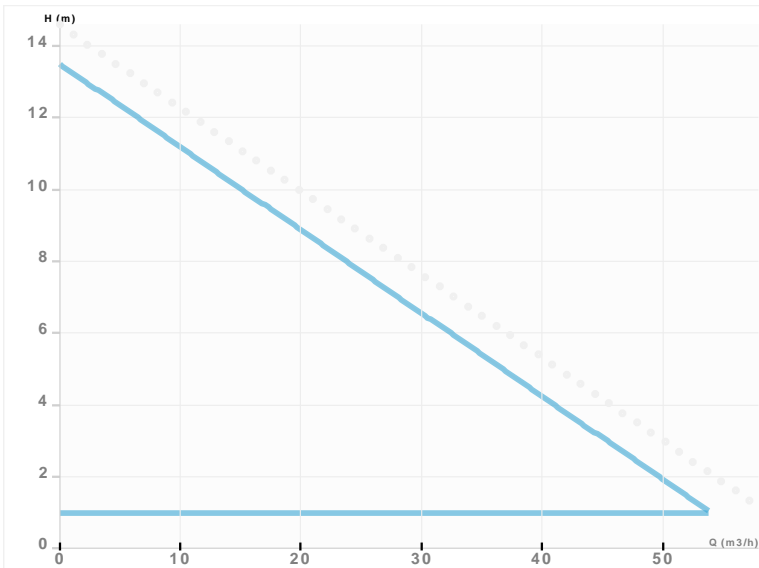




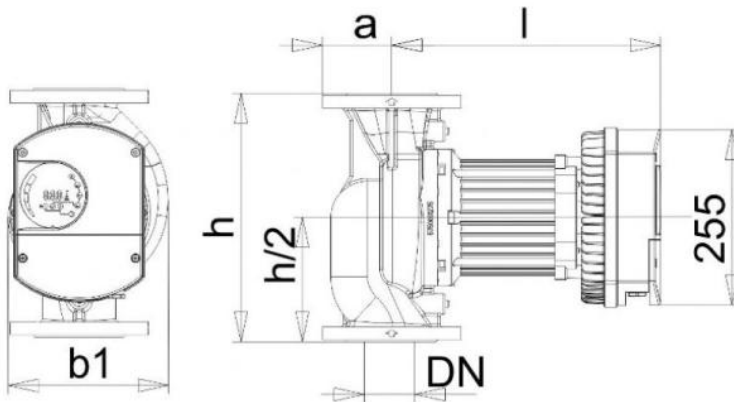
NMT SAN LAN 65F

NMT SAN LAN / Electronically regulated threaded pumps for circulation of sanitary water
 Sanitary water



Part number	979523608
Declared height	PN6/10
Power supply	1 ~ 230V, 50Hz
Declared protection	IP 44 (IEC 144)
Q max	65.0 [m³/h]
H max	13.0 [m]
RPM	3000 [1/min]
Motor power	38-1100 [w]
Declared current	4,8 [A]
Fluid temperature	5.0 ÷ 65.0 [°C]
Insulation class	H
Casing construction	Single casing
DN1	65 [mm]
DN2	65 [mm]
Casing material	Bronze
Connector	PN6/10
Weight	38,5 [kg]
Connectors position	Inline (0°)
Length	340 [mm]

Drawing



DN=65 b1=222 l=369 h=340 a=80 holes=4

Sketch

