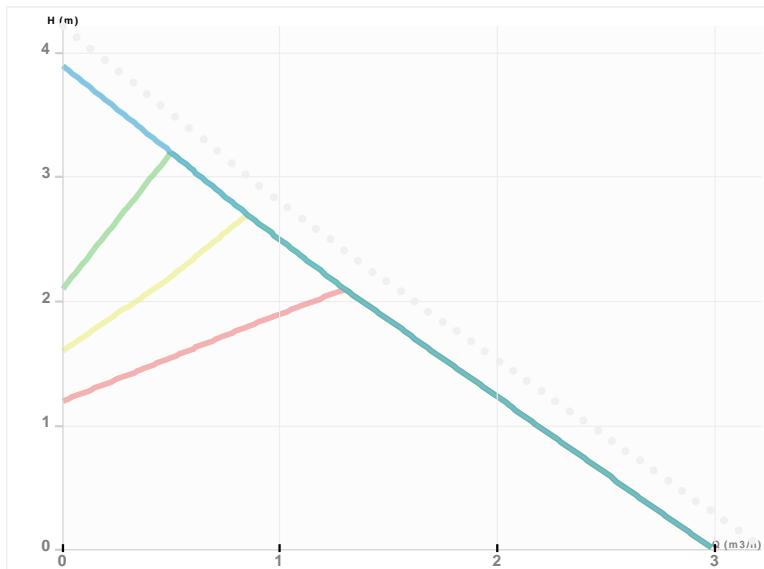




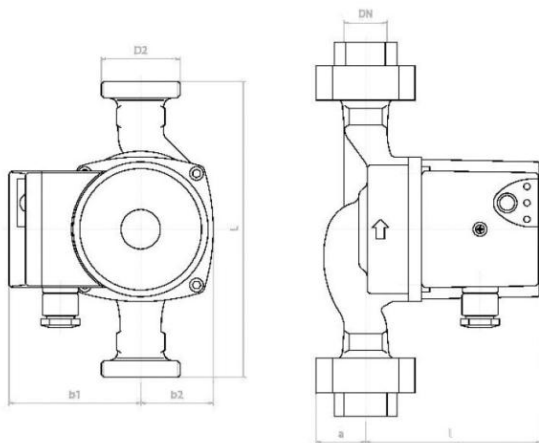
NMT PLUS 32/40 - 180

NMT PLUS / Electronically regulated circulating pump
 Heating, Climatisation



Part number	979522044
Declared height	PN10
Power supply	1 ~ 230V, 50Hz
Declared protection	IP 44 (IEC 144)
Q max	2.6 [m³/h]
H max	4.0 [m]
RPM	2650 [1/min]
Motor power	25 [w]
Declared current	0,05-0,2 [A]
Fluid temperature	-10.0 ÷ 110.0 [°C]
Insulation class	H
Casing construction	Single casing
DN1	32 [mm]
DN2	32 [mm]
Casing material	Gray cast iron
Connector	1 1/4"
Weight	2,7 [kg]
Connectors position	Inline (0°)
Length	180 [mm]

Drawing



L=180 DN=32 b1=80 b2=48 l=108 a=40 D2=2"

Sketch

