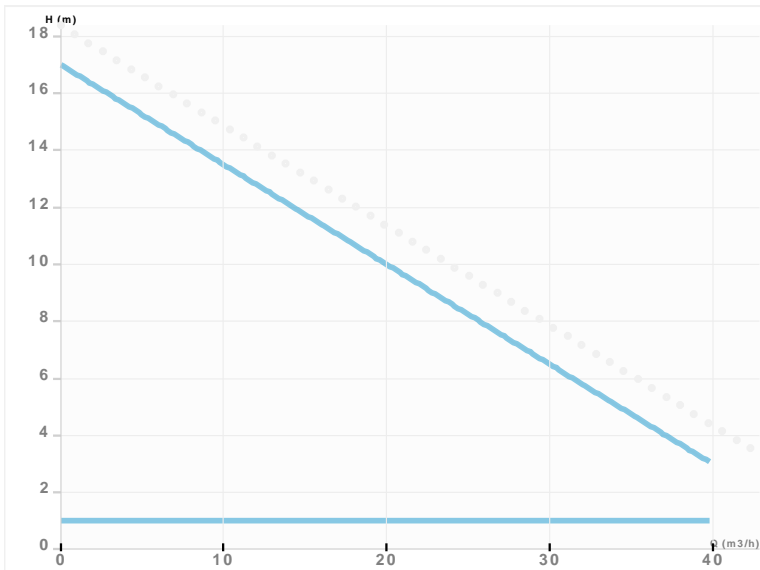




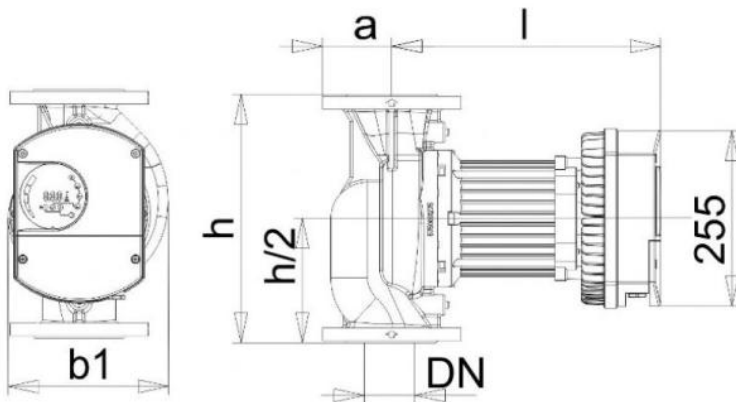
## NMT LAN 50/180 F

NMT LAN / Electronically regulated circulating pump  
 Heating, Climatisation



Part number	<b>979523652</b>
Declared height	<b>PN6/10</b>
Power supply	<b>1 ~ 230V, 50Hz</b>
Declared protection	<b>IP 44 (IEC 144)</b>
Q max	<b>45.0 [m<sup>3</sup>/h]</b>
H max	<b>17.0 [m]</b>
RPM	<b>3400 [1/min]</b>
Motor power	<b>20-1100 [w]</b>
Declared current	<b>4,8 [A]</b>
Fluid temperature	<b>-10.0 ÷ 110.0 [°C]</b>
Insulation class	<b>H</b>
Casing construction	<b>Single casing</b>
DN1	<b>50 [mm]</b>
DN2	<b>50 [mm]</b>
Casing material	<b>Gray cast iron</b>
Connector	<b>PN6/10</b>
Weight	<b>30 [kg]</b>
Connectors position	<b>Inline (0°)</b>
Lenght	<b>280 [mm]</b>

Drawing



DN=50 b1=198 l=355 h=280 a=70 holes=4

Sketch

