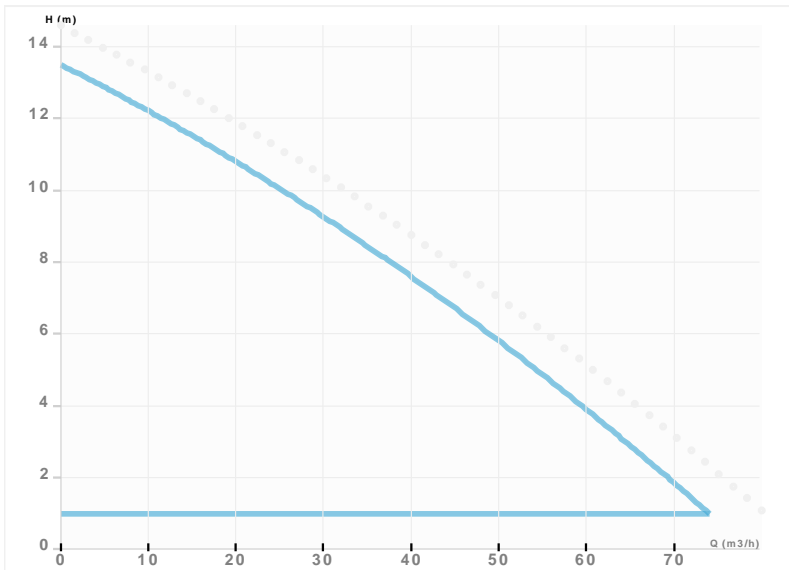




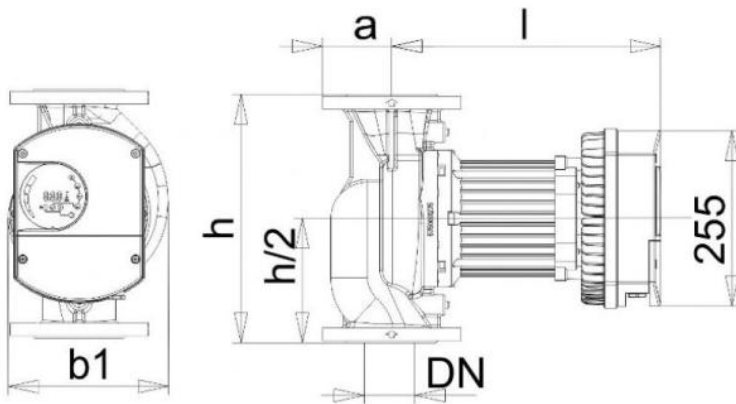
NMT LAN 100 F PN6

NMT LAN / Electronically regulated circulating pump
 Heating, Climatisation



Part number	979523465
Declared height	PN6
Power supply	1 ~ 230V, 50Hz
Declared protection	IP 44 (IEC 144)
Q max	78.0 [m³/h]
H max	13.0 [m]
RPM	3000 [1/min]
Motor power	45-1600 [w]
Declared current	6,9 [A]
Fluid temperature	-10.0 ÷ 110.0 [°C]
Insulation class	H
Casing construction	Single casing
DN1	100 [mm]
DN2	100 [mm]
Casing material	Gray cast iron
Connector	PN6
Weight	47 [kg]
Connectors position	Inline (0°)
Length	360 [mm]

Drawing



DN=100 b1=230 l=403 h=360 a=110 holes=4

Sketch

