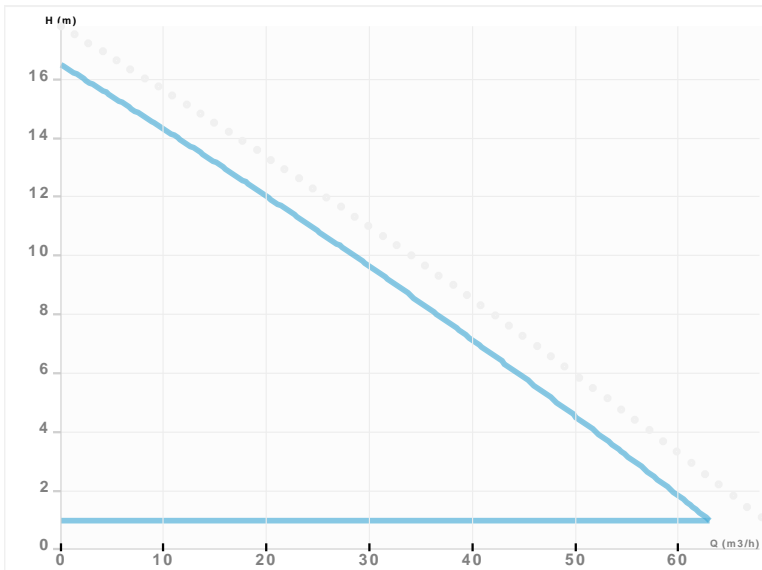




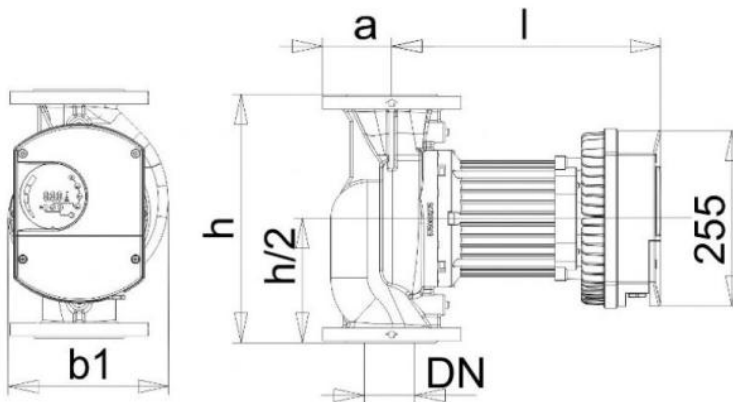
## NMT LAN 100/180 F PN10

NMT LAN / Electronically regulated circulating pump  
 Heating, Climatisation



Part number	<b>979523657</b>
Declared height	<b>PN10</b>
Power supply	<b>1 ~ 230V, 50Hz</b>
Declared protection	<b>IP 44 (IEC 144)</b>
Q max	<b>63.0 [m³/h]</b>
H max	<b>16.5 [m]</b>
RPM	<b>3400 [1/min]</b>
Motor power	<b>20-1600 [w]</b>
Declared current	<b>7,2 [A]</b>
Fluid temperature	<b>-10.0 ÷ 110.0 [°C]</b>
Insulation class	<b>H</b>
Casing construction	<b>Single casing</b>
DN1	<b>100 [mm]</b>
DN2	<b>100 [mm]</b>
Casing material	<b>Gray cast iron</b>
Connector	<b>PN10</b>
Weight	<b>45 [kg]</b>
Connectors position	<b>Inline (0°)</b>
Length	<b>360 [mm]</b>

Drawing



DN=100 b1=230 l=403 h=360 a=110 holes=8

Sketch

