

**Raypak**<sup>®</sup>  
A Rheem<sup>®</sup> Company

**HURRAY**

**HI DELTA**<sup>TM</sup>



# HI-DELTA 302-2342 ACE SERIES



INDOOR GAS BOILER  
OUTDOOR GAS BOILER  
TECHNOLOGICAL WATER HEATER  
SWIMMING POOL HEATER  
FOUR APPLICATIONS  
ONE APPLIANCE

# HI-DELTA 302-2342 ACE SERIES



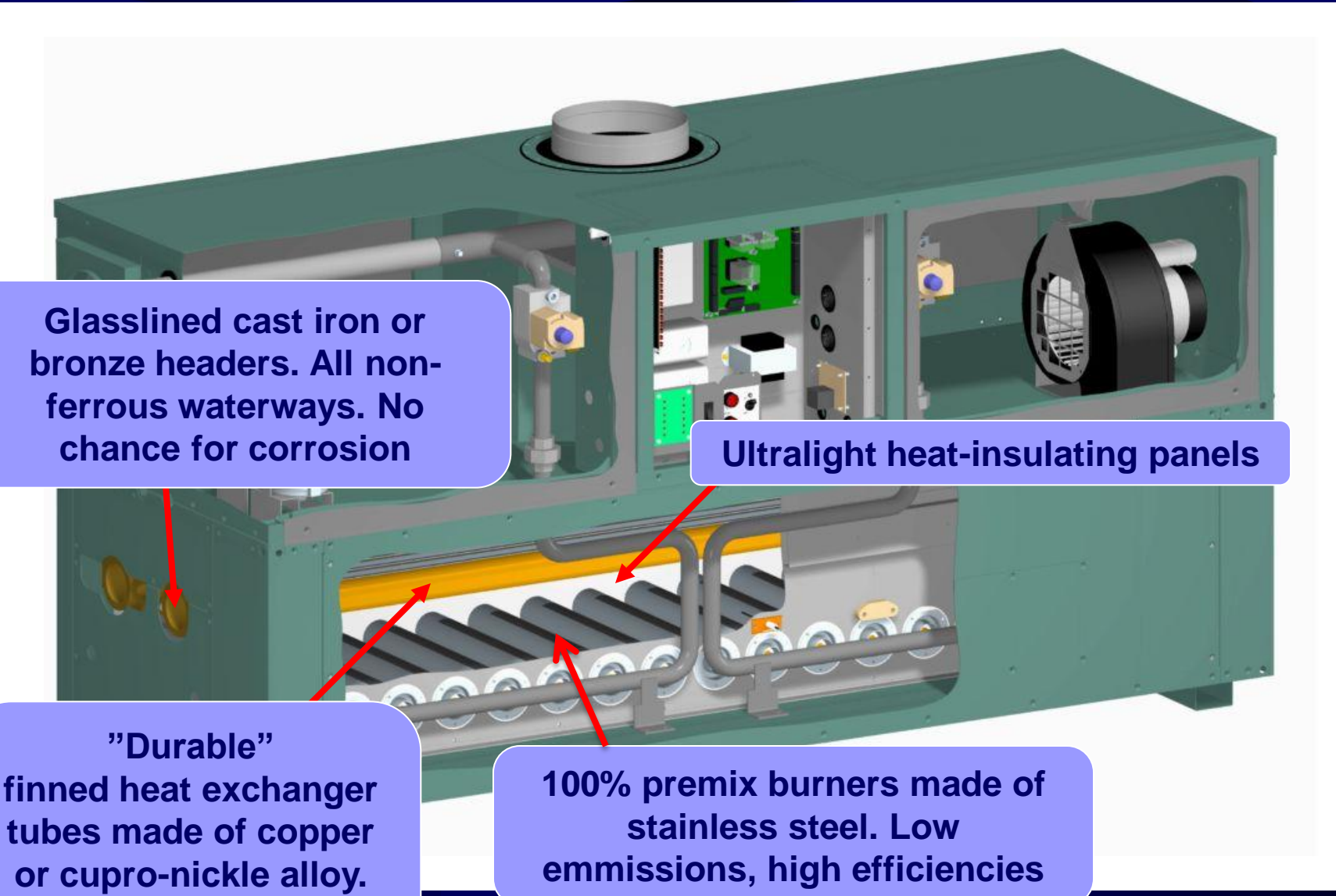
13 SIZES

from 80 kW to 640 kW

Gross efficiency:

Water heaters 91-92%

Boilers: 95-96%



**Glasslined cast iron or bronze headers. All non-ferrous waterways. No chance for corrosion**

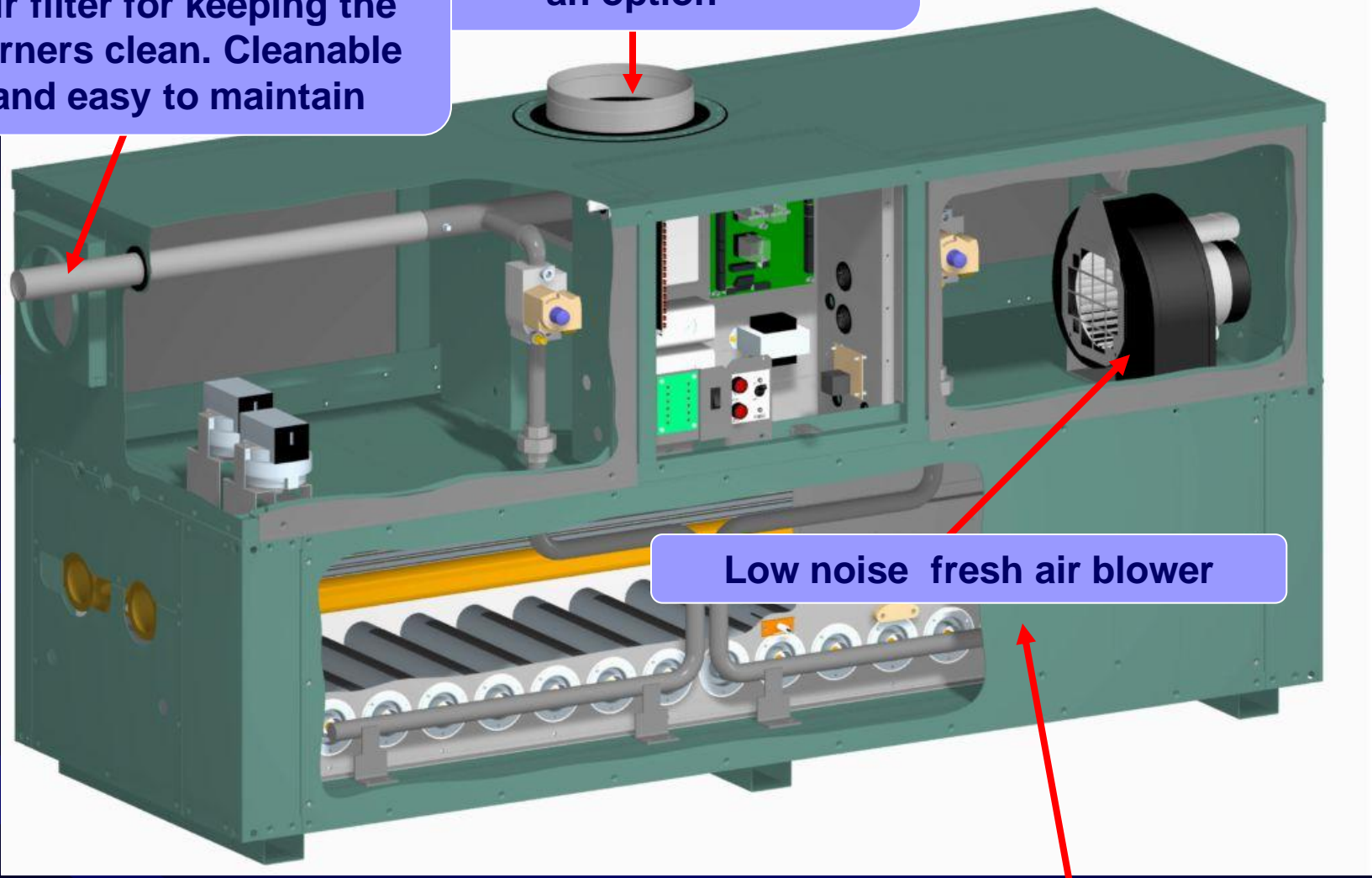
**Ultralight heat-insulating panels**

**"Durable"  
finned heat exchanger  
tubes made of copper  
or cupro-nickle alloy.  
Up to 10 bars operating  
pressure.**

**100% premix burners made of  
stainless steel. Low  
emissions, high efficiencies**

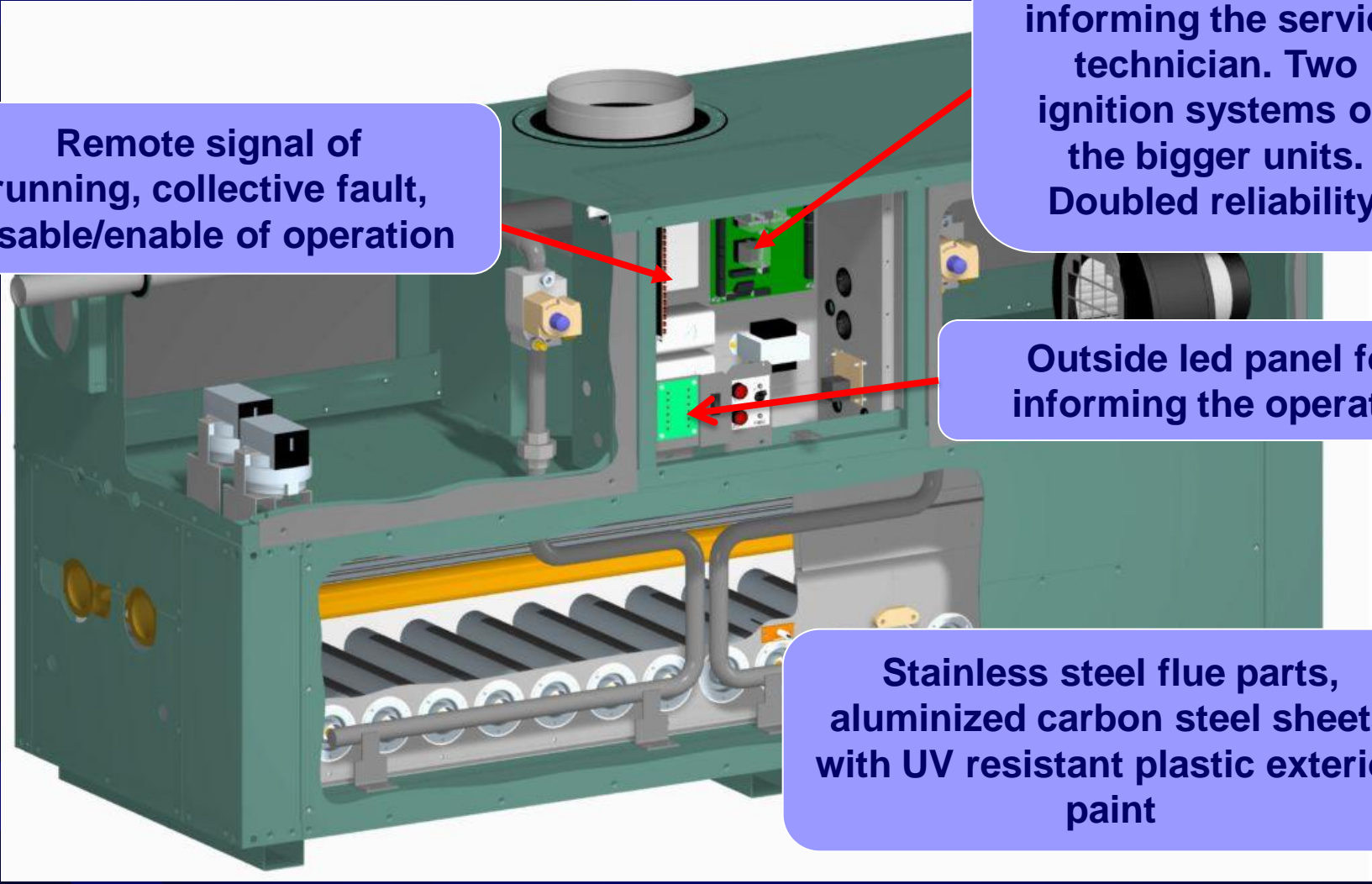
**Flue connection on the top,  
rear connection available as  
an option**

**Air filter for keeping the  
burners clean. Cleanable  
and easy to maintain**



**Low noise fresh air blower**

**Removable cover for easy  
maintenance of the hot surface  
igniter and the ion-current sensor**

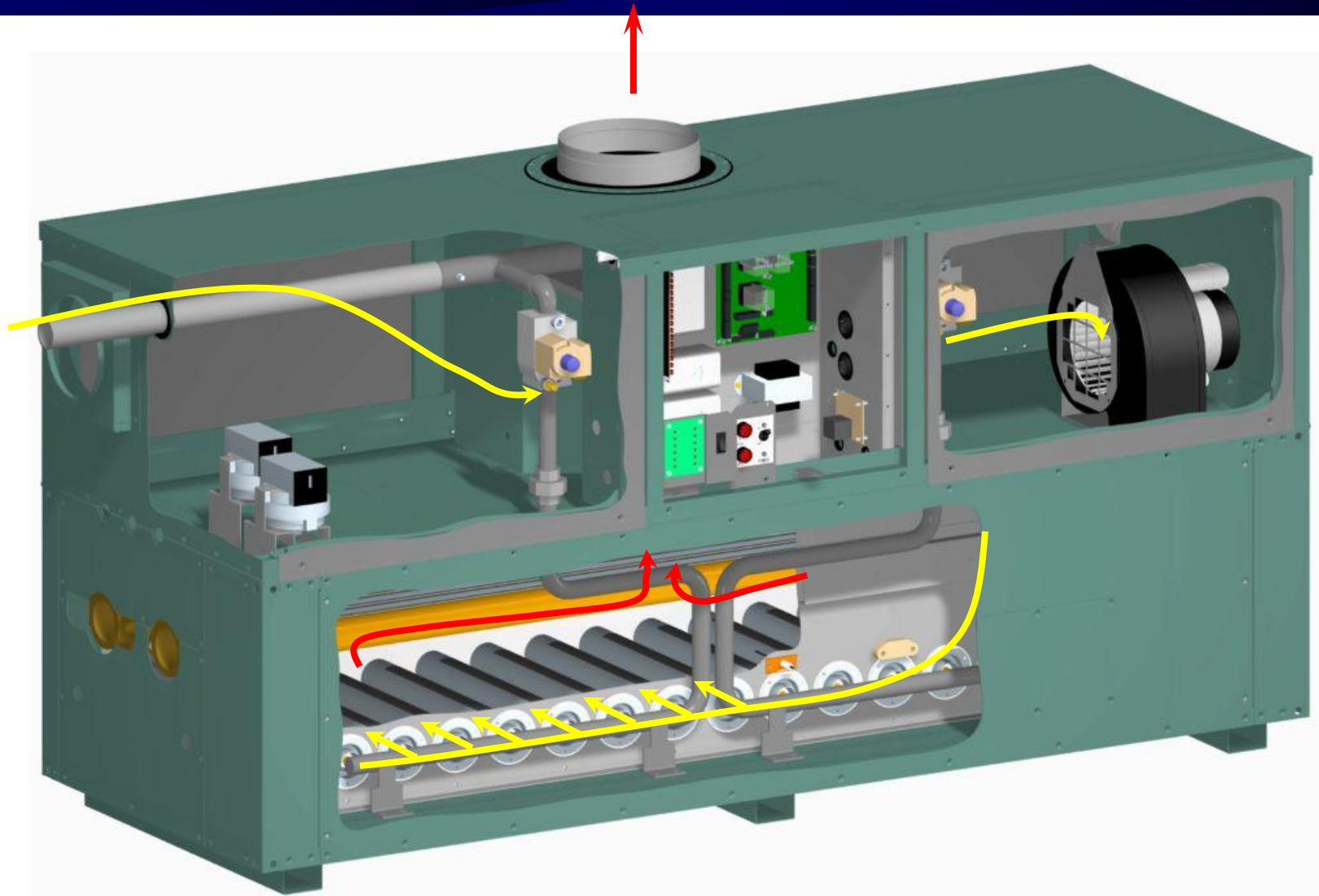


**Remote signal of running, collective fault, disable/enable of operation**

**Central control panel with led lights for informing the service technician. Two ignition systems on the bigger units. Doubled reliability.**

**Outside led panel for informing the operator**

**Stainless steel flue parts, aluminized carbon steel sheets with UV resistant plastic exterior paint**



”Where there's a will, there's a way”



Is the floor  
space  
expensive?

Is there no  
boiler  
room?

You always  
have room  
on the roof.<sup>8</sup>



”Where there's a will, there's a way”

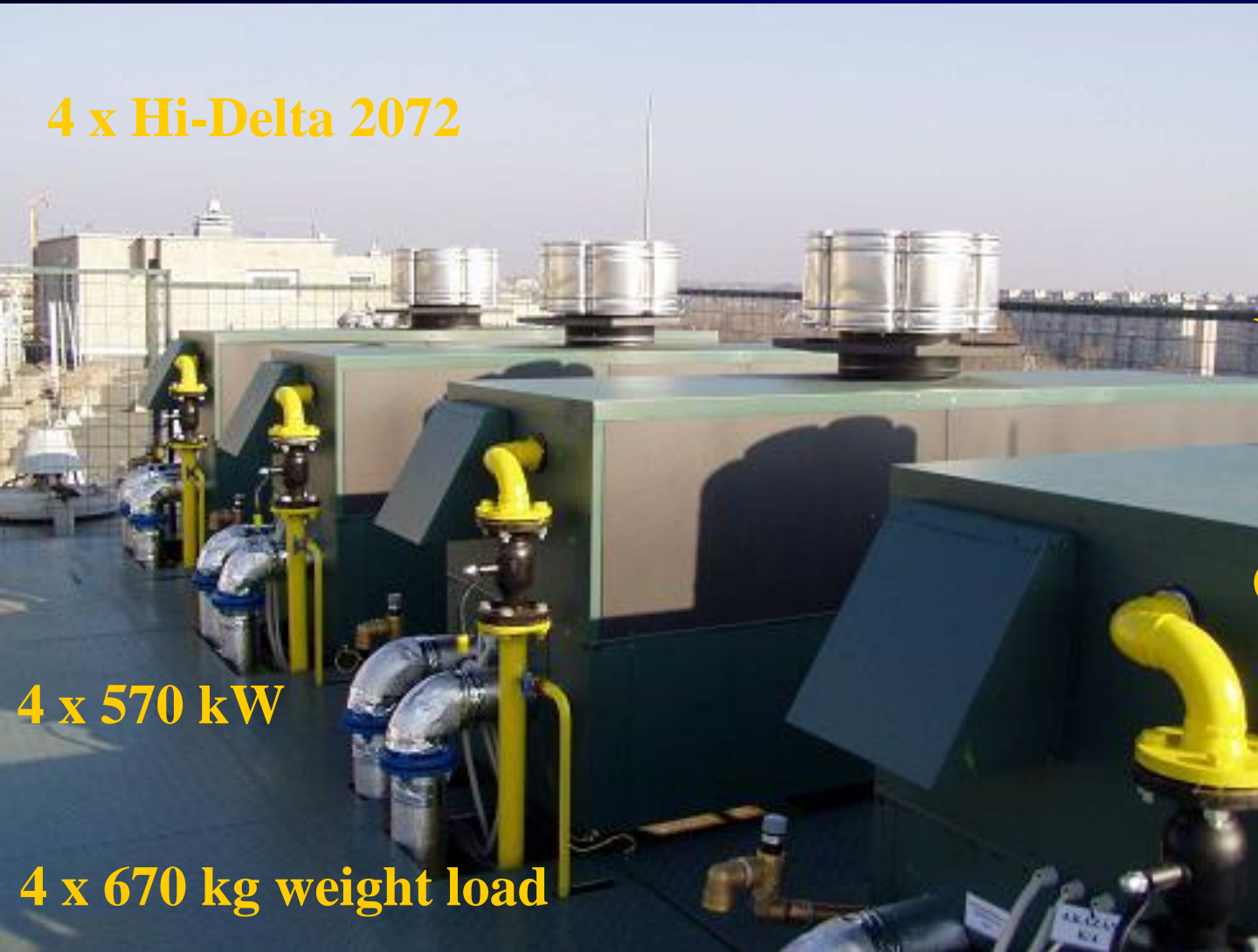


Would you  
need a long  
chimney?

Think  
about the  
room on  
the roof.

”Where there's a will, there's a way”

4 x Hi-Delta 2072



You always  
have room  
on the roof.

4 x 570 kW

4 x 670 kg weight load

# ROOM SEALED FLUE SYSTEM

”Where there's a will, there's a way”

**3x Hi-Delta 1802**

**3x 490 kW**



**Swimming pool heating**

Do you  
want to get  
rid of noisy  
boiler  
rooms?

# STACKING SYSTEM

”Where there's a will, there's a way”



Is the  
boiler room  
too small?

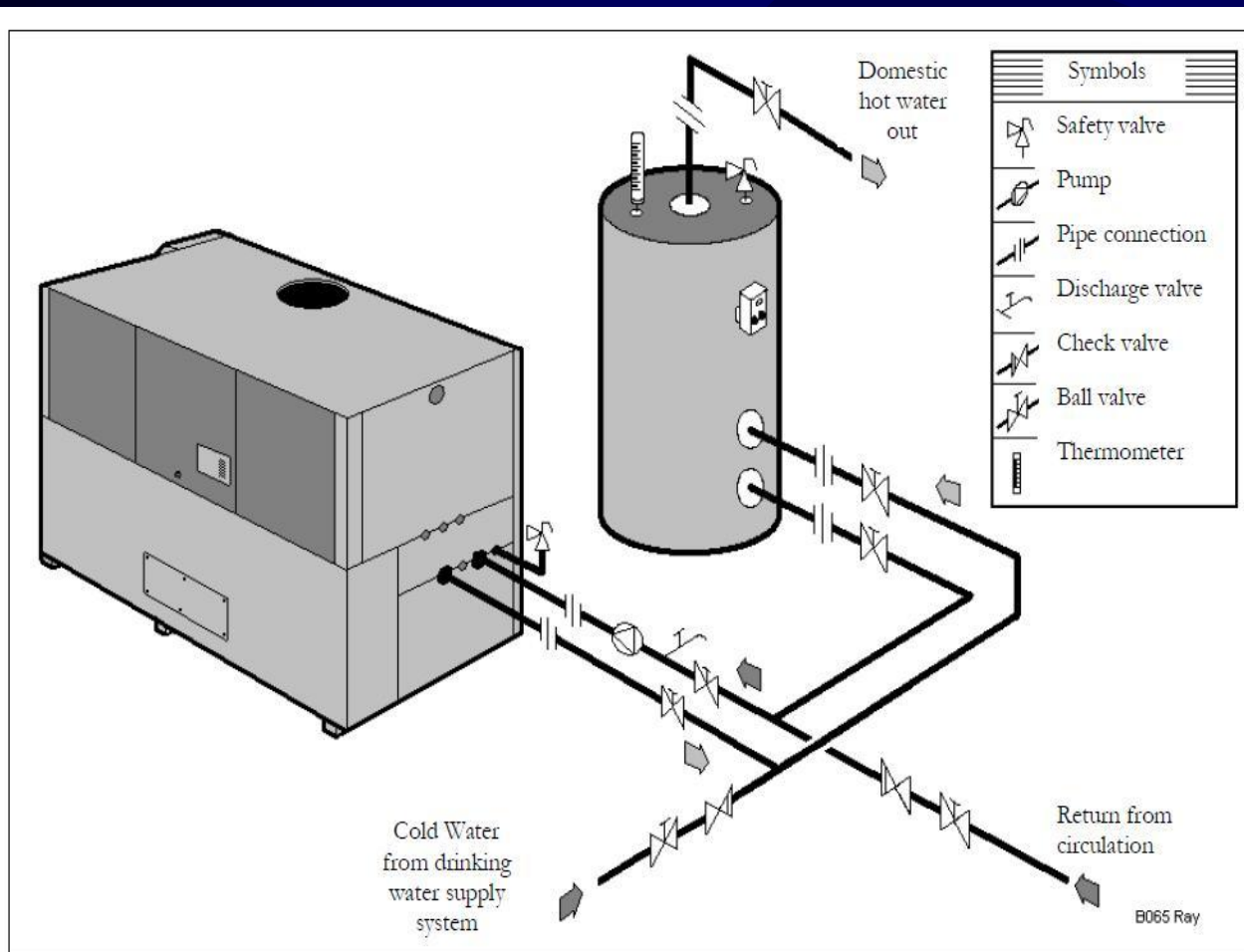
# ABUNDANCE OF HOT WATER

”Where there's a will, there's a way”

Domestic hot water

Technological hot water

Up to 105 C



Is steam expensive?  
Change to direct water heating

# WHY HI-DELTA?

- High operational efficiency, low standby losses
- Low emissions: NO<sub>x</sub> Class 4.
- Type B, open chamber flue systems
- Type C room sealed flue systems
- Outdoor installation. chimney is not necessary but possible
- Lightweight. Surface loading below 300 kg / square meter
- Noise levels below 40 dBA for the residential environment
- Simpler installation, lower costs
- Service-friendly, safe operation

# PLENTY OF EXAMPLES

”The right way for your business”



**HURAY**

Your way is

[www.huray.eu](http://www.huray.eu)

**HI DELTA**™

**Raypak**<sup>®</sup>  
A Rheem<sup>®</sup> Company