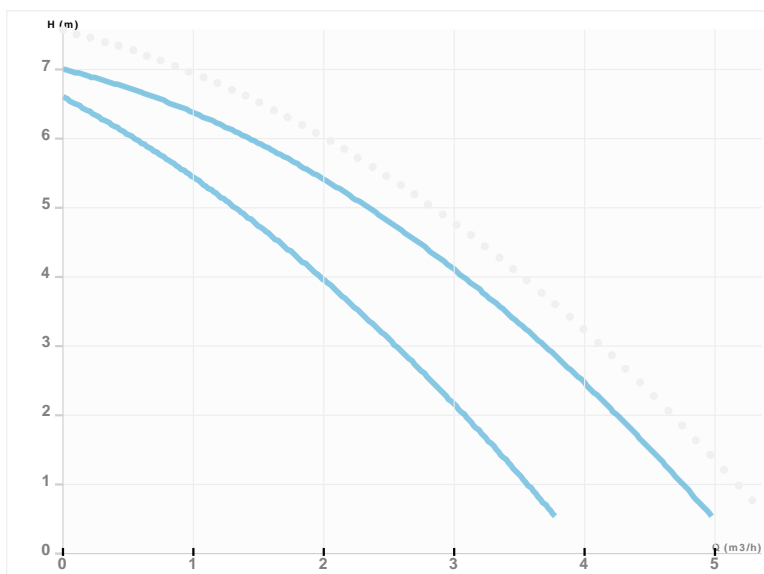




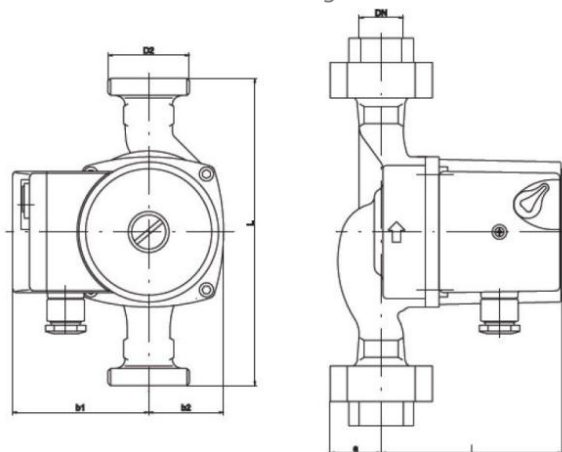
## GHN SOL 25/70-130

GHN SOL / Threaded circulation pumps for solar systems  
 Heating, Climatisation, Solar systems



Part number	<b>979521363</b>
Declared height	<b>PN10</b>
Power supply	<b>1 ~ 230V, 50Hz</b>
Declared protection	<b>IP 44 (IEC 144)</b>
Q max	<b>5.5 [m³/h]</b>
H max	<b>7.0 [m]</b>
RPM	<b>1720 - 2340 [1/min]</b>
Motor power	<b>140 [w]</b>
Declared current	<b>0,57 - 0,61 [A]</b>
Fluid temperature	<b>-10.0 ÷ 110.0 [°C]</b>
Insulation class	<b>H</b>
Casing construction	<b>Single casing</b>
DN1	<b>25 [mm]</b>
DN2	<b>25 [mm]</b>
Casing material	<b>Gray cast iron</b>
Connector	<b>G 1 1/2"</b>
Weight	<b>2,4 [kg]</b>
Connectors position	<b>Inline (0°)</b>
Length	<b>130 [mm]</b>

Drawing



DN=25 D2=1 1/2" L=130 l=108 b1=80 b2=44 a=32

Sketch

