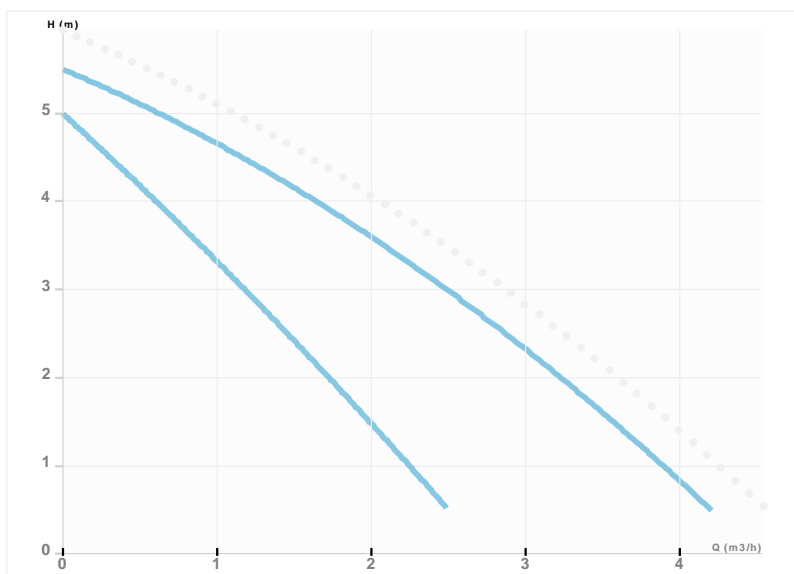




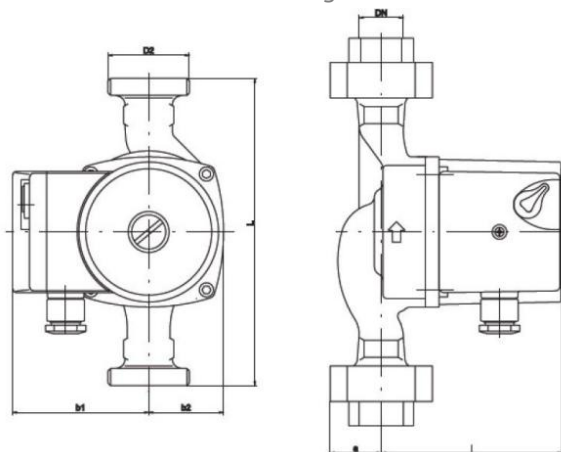
## GHN SOL 15/60-130

GHN SOL / Threaded circulation pumps for solar systems  
 Heating, Climatisation, Solar systems



Part number	<b>979523359</b>
Declared height	<b>PN10</b>
Power supply	<b>1 ~ 230V, 50Hz</b>
Declared protection	<b>IP 44 (IEC 144)</b>
Q max	<b>3.0 [m³/h]</b>
H max	<b>6.0 [m]</b>
RPM	<b>1460 - 1980 [1/min]</b>
Motor power	<b>90 [w]</b>
Declared current	<b>0,29 - 0,39 [A]</b>
Fluid temperature	<b>-10.0 ÷ 110.0 [°C]</b>
Insulation class	<b>H</b>
Casing construction	<b>Single casing</b>
DN1	<b>15 [mm]</b>
DN2	<b>15 [mm]</b>
Casing material	<b>Gray cast iron</b>
Connector	<b>G 1"</b>
Weight	<b>2,1 [kg]</b>
Connectors position	<b>Inline (0°)</b>
Length	<b>130 [mm]</b>

Drawing



DN=15 D2=1" L=130 l=108 b1=80 b2=44 a=27

Sketch

